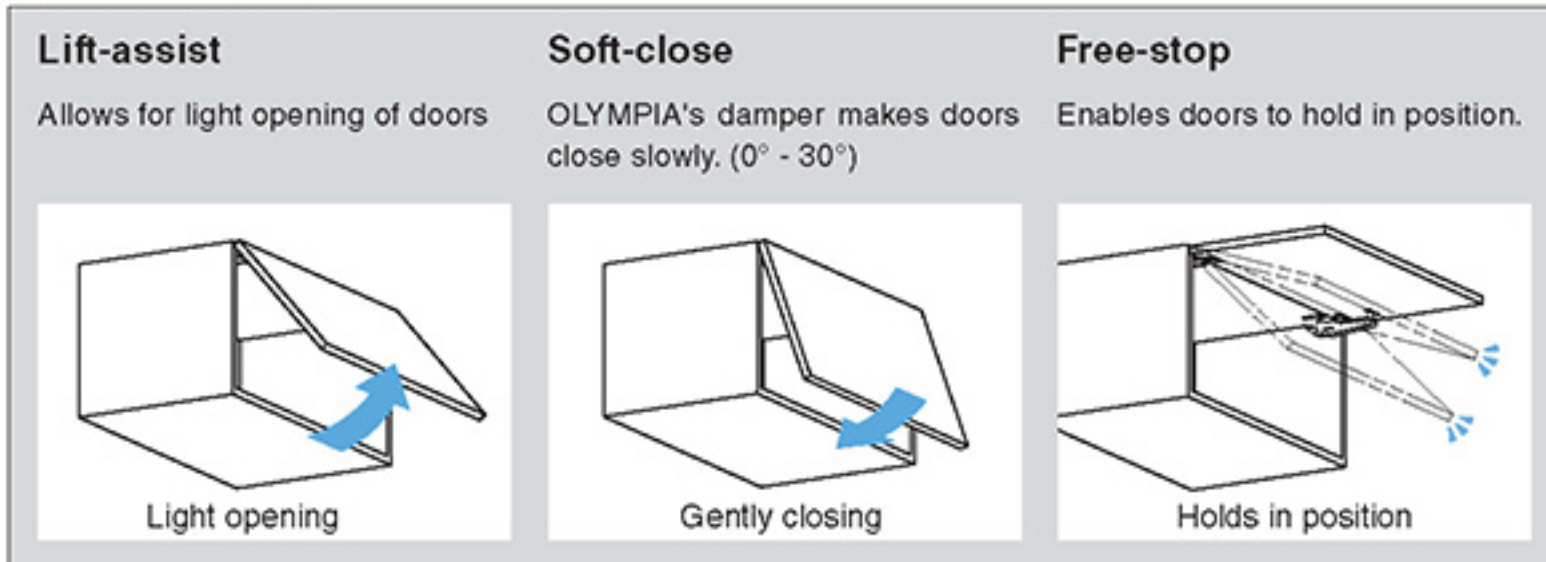


AILERON STAY FOR OLYMPIA ARN-3 Upward Opening Model

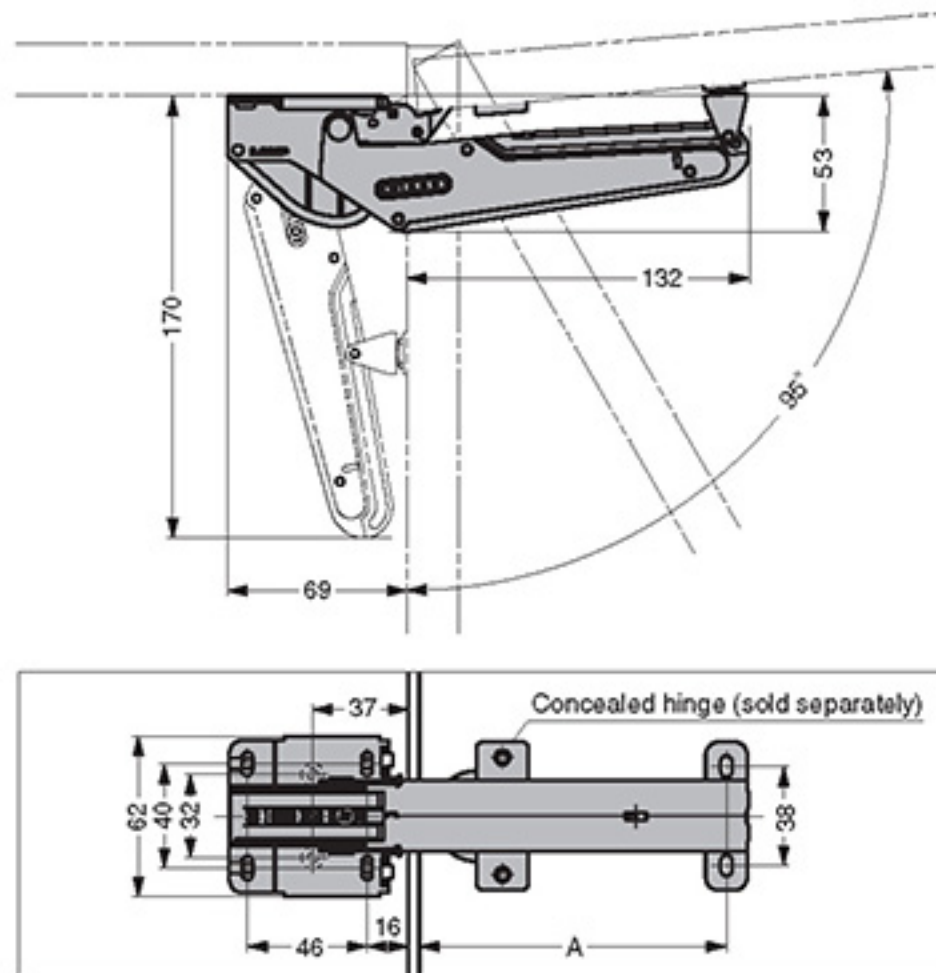
L=R INSTRUCTION



[Door Movements]



[Installation]



Please see pages of Olympia hinges for installation dimensions.

Hinge Used	A
360-D26-19T	118
H360-D26-26T	116

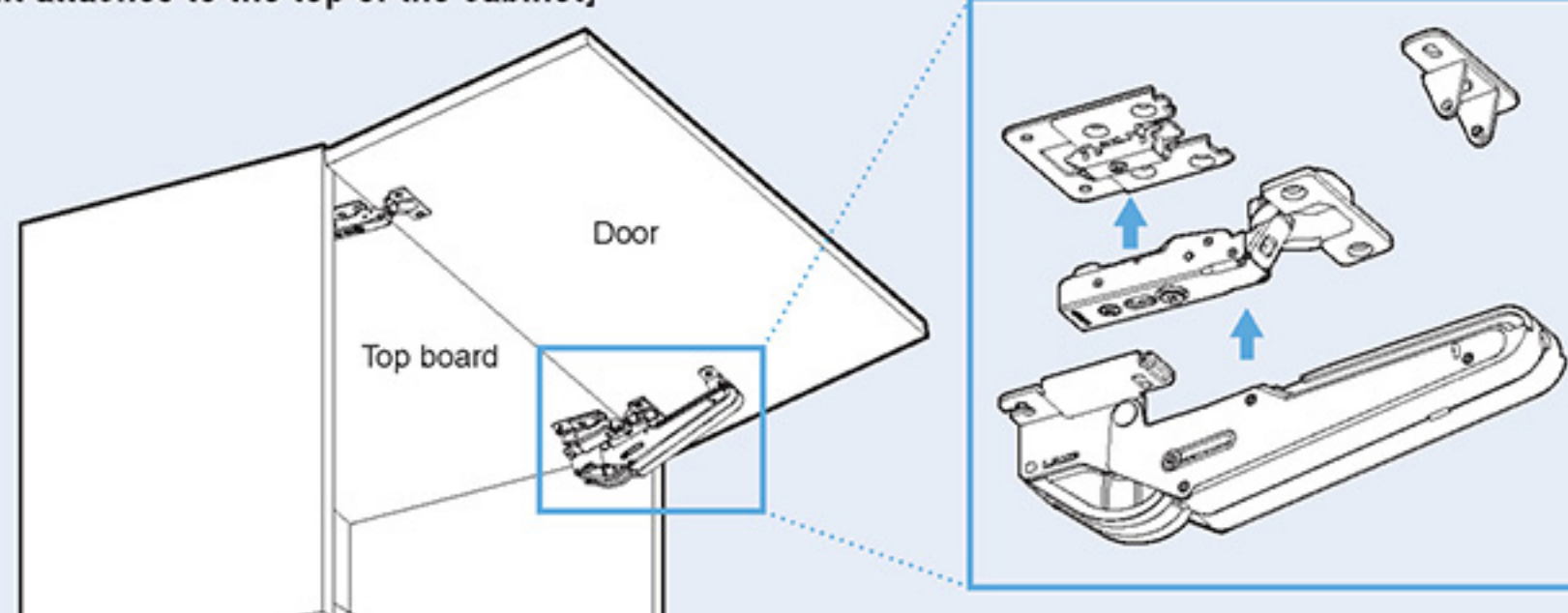
[Aileron Stay] Sold singly

RoHS	CAD	Item Code	Item Name	Material	Finish / Colour	Type	Max. Door Moment N·m/pc	Max. Door Moment kgf·cm/pc	Box (pc)	Carton (pc)
✓	3D	180-043-947	ARN-3-M-GR	Steel (SPCC) / POM	Nickel plating / Grey	M	4.0~6.0	40.8~61.2	1	20
✓	3D	180-043-948	ARN-3-H-GR			H	6.0~8.0	61.2~81.6	1	20
✓	3D	180-049-503	ARN-3-M-BL		Nickel plating / Black	M	4.0~6.0	40.8~61.2	1	20
✓	3D	180-049-504	ARN-3-H-BL			H	6.0~8.0	61.2~81.6	1	20

[Standard Set] Including parts sold separately

RoHS	CAD	Item Code	Item Name	Door Width	Max. Door Moment N·m	Max. Door Moment kgf·cm	Set Contents	Box (pc)	Carton (pc)
✓	3D	180-045-659	ARN-3-M-GR-S	450~900	4.0~6.0	40.8~61.2	Aileron stay, Mounting plate for Aileron stay, Olympia hinge, Mounting plate for Olympia hinge, Screws	1	10
✓	3D	180-045-660	ARN-3-H-GR-S		6.0~8.0	61.2~81.6		1	10
✓	3D	180-049-507	ARN-3-M-BL-S		4.0~6.0	40.8~61.2		1	10
✓	3D	180-049-508	ARN-3-H-BL-S		6.0~8.0	61.2~81.6		1	10

[Combined unit attaches to the top of the cabinet]



Simple installation only requires AILERON to be placed on OLYMPIA with a mounting plate designed for AILERON

Opening	Description	Non-handed	Type	Maximum Door Moment
Upward	Lift-assist Soft-close Free-stop	Yes	M	4.0~6.0 N·m/pc (40.8~61.2 kgf·cm/pc)
			H	6.0~8.0 N·m/pc (61.2~81.6 kgf·cm/pc)

- Smooth door movement. It is specially designed for use with the OLYMPIA concealed hinge (360-D26-19 / H360-D26-26T).
- The lift-assist function allows for light opening of doors.
- The force of lift-assist is adjustable.
- The soft-close function makes doors close gently (0°~30° degrees).
- Integrated design combines a concealed hinge and lid stay.
- The free-stop function enables doors to hold in position.
- Closing speed of doors is adjustable.

[Specifications]

- Operating temperature: 0°C - 40°C

[Parts Included]

- Door-side mounting plate
- Countersunk head tapping screw 3.5 x 1.5 (for attaching the mounting plate to AILERON)
- Binding head tapping screw 3.5 x 1.5 (for attaching the door-side mounting plate, mounting plate for AILERON, and AILERON)

[Optional Parts]

- Hinge spacer 360-BCS
- Aileron spacer ARN-DP

[Sold Separately]

- Mounting plate for AILERON
- OLYMPIA concealed hinge
- Mounting plate for OLYMPIA

Video Link



[Application Example]

